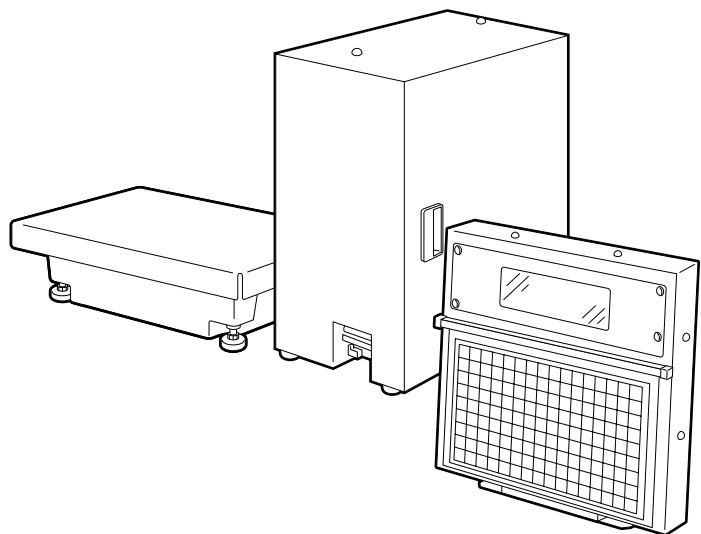




TEC Electronic Computing Scale

H-9100N-US/CA

Owner's Manual



TOSHIBA TEC CORPORATION

TABLE OF CONTENTS

	Page
1. INTRODUCTION	1- 1
1.1 APPLICABLE MODEL	1- 2
1.2 ACCESSORIES	1- 2
2. SPECIFICATIONS.....	2- 1
2.1 SCALE	2- 1
2.2 OPTION	2- 2
3. APPEARANCE.....	3- 1
4. DISPLAY	4- 1
4.1 US TYPE.....	4- 1
4.2 CA TYPE.....	4- 1
5. KEY LAYOUT.....	5- 1
5.1 PROGRAMMING KEYBOARD.....	5- 1
5.2 OPERATION KEYBOARD AND SPEED KEYBOARD	5- 3
6. PROCEDURE BEFORE OPERATION.....	6- 1
7. LEVEL ADJUSTMENT	7- 1
8. REMOVAL AND REPLACEMENT OF RECEIPT/LABEL	8- 1
9. OUTLINE OF OPERATION.....	9- 1
10. PROGRAMMING PROCEDURES.....	10- 1
10.1 UNIT PRICE CHANGE.....	10- 4
10.2 PLU DATA SETTING	10- 5
10.3 INGREDIENT MESSAGE	10- 7
10.4 NUTRITION FACTS	10- 8
10.5 PLU VERIFYING LABEL.....	10-12
10.6 ADDRESS AND COMMERCIAL MESSAGE SETTING	10-13
10.7 COMBINATION MESSAGE	10-14
10.8 SPECIAL INFORMATION	10-16
10.9 GRADE LINE	10-16
10.10 SPEED KEY SETTING	10-17
10.11 PRINT FORMAT	10-18
10.12 DATE/TIME SETTING.....	10-20
10.13 CMT/PL-3.....	10-20
10.14 IN-LINE/LOCAL.....	10-23
10.15 LON SYSTEM.....	10-24
10.16 BAR CODE FORMAT	10-26
10.17 TITLES.....	10-28
10.18 TRANSFERRING LOGO DATA	10-29
10.19 IDIOM SETTING	10-31
10.20 VENDOR SETTING	10-31
10.21 FREE FORMAT SETTING	10-32

11. PROGRAMMED DATA VERIFICATION REPORTS.....	11- 1
12. PASSWORD SECURITY	12- 1
12.1 SETTING PASSWORD AND PROTECT MENU.....	12- 1
12.2 CALLING MENU BY ENTERING PASSWORD	12- 3
13. OPERATING PROCEDURES	13- 1
13.1 WEIGHING OPERATION	13- 2
13.2 FIX PRICE OPERATION (FOR US TYPE ONLY)	13- 3
13.3 BY COUNT OPERATION.....	13- 4
13.4 PRINT COUNT OPERATION.....	13- 6
13.5 ISSUING LABELS WITH NET WEIGHT STATEMENT (FOR US TYPE ONLY)	13- 9
13.6 TARE/SAVE/VOID FUNCTION PROCEDURES	13-11
13.7 CALLING AND PRINTING GRADE LINE	13-12
13.8 CALLING AND PRINTING LOGO	13-13
13.9 SELECTING PRINT ITEM.....	13-14
13.10 DATE CHANGE	13-15
13.11 BATCH PRINT MODE (with 30 Items Run Assignment)	13-16
13.12 VISUAL COMMODITY LIBRARY	13-19
13.13 FLOATING VENDOR.....	13-20
14. TOTAL OPERATION.....	14- 1
14.1 HOURLY TOTAL REORT	14- 2
14.2 GRAND TOTAL REPORT.....	14- 2
14.3 PLU TOTAL REPORT.....	14- 2
14.4 VENDOR TOTAL REPORT	14- 3
15. ERROR MESSAGE TABLE	15- 1
16. CLEANING THE PRINT HEAD	16- 1
17. TROUBLESHOOTING	17- 1

WARNING!

1. *The display unit installation should be authorized installing dealer. Please contact your nearest TOSHIBA TEC representative.*
2. *The display unit installation by anyone except an authorized installing dealer will release the manufacturer from all liability for damage or injury to users.*

CAUTION:

1. *This manual may not be copied in whole or in part without prior written permission of TOSHIBA TEC.*
2. *The contents of this manual may be changed without notification.*
3. *Please refer to your local Authorized Service representative with regard to any queries you may have in this manual.*

This is a “Table of Contents preview” for quality assurance

The full manual can be purchased from our store:

https://the-checkout-tech.com/manuals/TEC/H-9100N_owners_manual.html

And our free Online Keysheet maker:

<https://the-checkout-tech.com/Cash-Register-Keysheet-Creator/>

[HTTPS://THE-CHECKOUT-TECH.COM](https://THE-CHECKOUT-TECH.COM)